

# SR1065

## ROUGH TERRAIN TELEHANDLER



- Full-time 4 wheel drive
- Fully enclosed cab
- Power assisted steering
- Proportional joystick
- Simple to operate & maintain

 **snorkel**<sup>™</sup>  
[www.snorkellifts.com](http://www.snorkellifts.com)

# ROUGH TERRAIN TELEHANDLER

# SR1065

## CAPABILITIES SR1065\*

Max. lift capacity	6,500kg
Max. lift height (A)	9.5m
Max. forward reach	5.4m

## DIMENSIONS

Overall width (B)	2.3m
Stowed height (C)	2.5m
Length to fork face (D)**	5.9m
Wheelbase	2.9m
Ground clearance	410mm

## PERFORMANCE

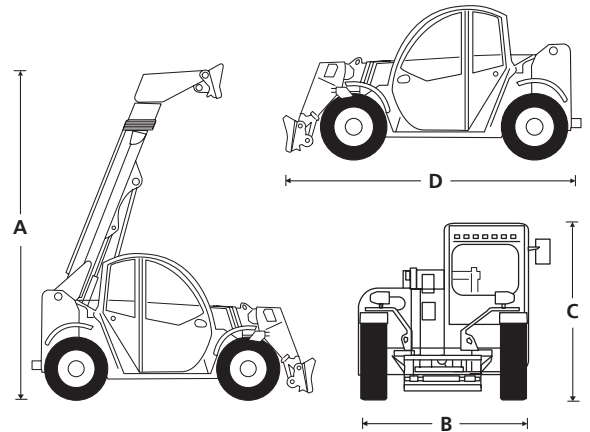
Max. drive speed	40 km/h
Raise/lower time	20/14sec
Frame levelling	10°
Hydraulic flow (per minute)	100L
Hydraulic pressure	230bar
Hydraulic oil capacity	150L
Fuel capacity	120L
Outside turning radius	4.5m
Tyres	445/65 R22.5"

## POWER

Power source	Deutz TCD 74.5kW Stage IIIA / Tier 3
--------------	--------------------------------------

## WEIGHT

Weight	11,090kg
--------	----------



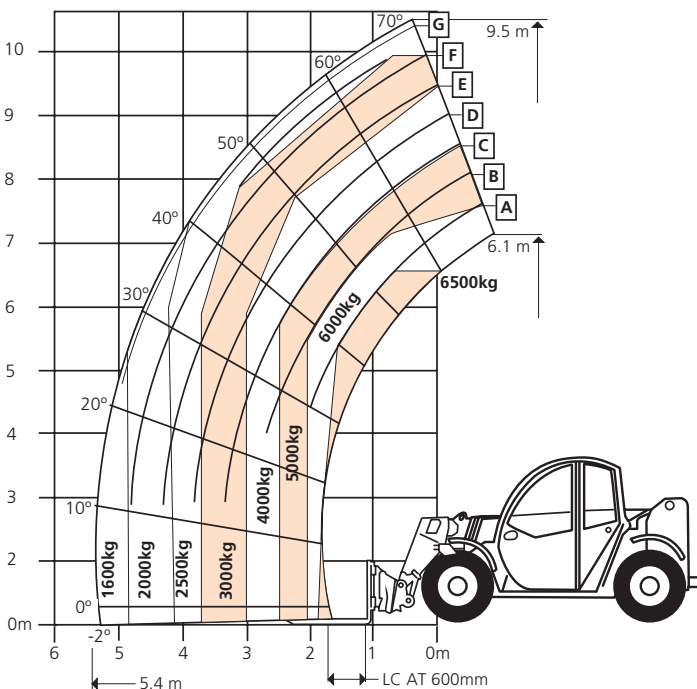
## STANDARD FEATURES

- Full time 4 wheel drive
- 4 wheel steer
- Selectable front, crab & coordinated steering modes
- Auxiliary hydraulic circuit on the boom
- Variable speed hydrostatic drive
- Fully enclosed cab
- Proportional joystick
- Adjustable steering column
- Illuminated gauge and switch panels
- Color LCD display with machine & engine diagnostics
- Block heater
- Constant flow
- Adjustable suspension seat
- Flashing beacon
- Road lights
- Work lights on boom (2)
- Fixed 1.2m carriage
- 1.2m pallet forks
- 2 year parts & labour, 5 year structural warranty
- CE approved

## OPTIONS

- Special paint colours
- Multiple options for carriages, tyres and fork tines
- Cold weather synthetic oil
- Swivel hook
- Hydraulic tank heater
- Battery heater tray
- Universal skidsteer attachments
- Air conditioning

## LOAD CHART



**snorkel** [www.snorkellifts.com](http://www.snorkellifts.com)

Vigo Centre, Birtley Road,  
Washington, Tyne & Wear,  
NE38 9DA, U.K.

t: +44 (0) 845 1550 057

e: sales.emea@snorkellifts.com