

MHP13/35

TRAILER MOUNTED BOOM LIFTS



- Safe and stable working height of up to 12.6m
- Heavy duty trailer mounted articulated boom lift
- Robust steel platform with two man capacity
- Easy to use outrigger/boom safety interlocks
- Ideal for a wide range of applications

 **snorkel**[™]
www.snorkellifts.com

TRAILER MOUNTED BOOM LIFTS

MHP13/35

DIMENSIONS MHP13/35

Max.height	12.6m
Max. platform height (A)	10.6m
Horizontal outreach	5.6m at 6m
Platform size	1.25m x 0.78m 1.07m
Outrigger footprint	3.7m x 3.9m
Overall width (outriggers extended)	3.95m
Overall width (outriggers retracted) (B)	1.58m
Overall length (C)	5.99m
Transport length (D)	2.05m

PERFORMANCE

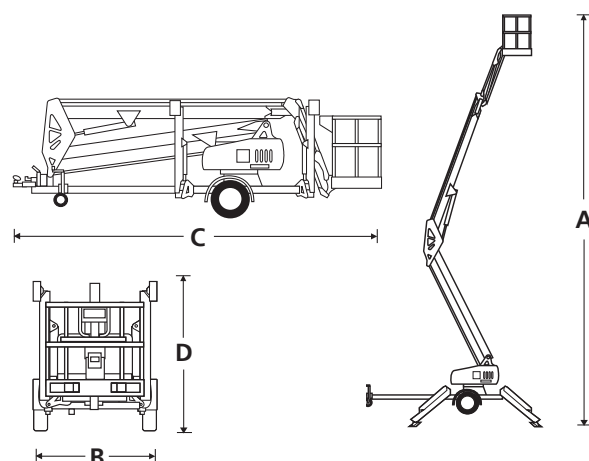
Platform capacity (with rotator)	227kg
Max. wind speed	12.5m/s
Levelling	auto
Turntable rotation	540° non-continuous
Tyres	185 R14
Brakes	Hydraulic disc
Max. axle capacity	1,750kg
Trailer tongue weight	65kg

POWER

Power source	Honda petrol engine 5.5hp
Hydraulic system	Proportional electro/hydraulic

WEIGHT

Gross weight	1,360kg
--------------	---------



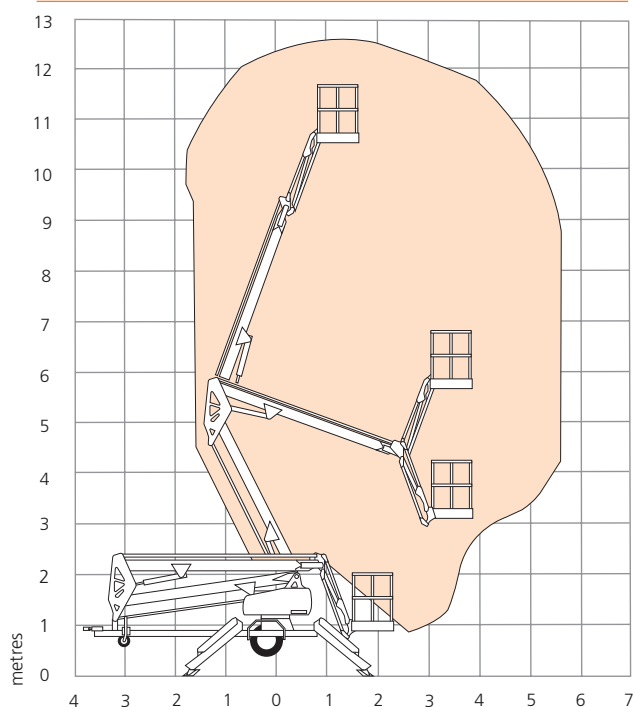
STANDARD FEATURES

- High strength steel boom and base construction
- Proportional speed control
- Heavy duty tow coupling
- Heavy duty jockey wheel
- Hydraulic disc brakes
- Reliable petrol engine
- Versatile jib boom (+70° to -70°)
- Articulating boom sections for 'up & over' reach
- 600V AC rated cable to platform
- Two man steel platform
- Automatic stabilisers
- Outrigger/boom safety interlocks
- Lockable hinged covers
- Hour meter
- Lifting lugs
- Rotating basket mount
- Platform rotator

OPTIONS

- Flashing light
- 110/240V GFCI power to platform
- Diesel and bi/energy options
- Spare wheel

WORKING ENVELOPE



snorkel www.snorkellifts.com

Vigo Centre, Birtley Road,
Washington, Tyne & Wear,
NE38 9DA, U.K.

t: +44 (0) 845 1550 057
e: sales@snorkellifts.com